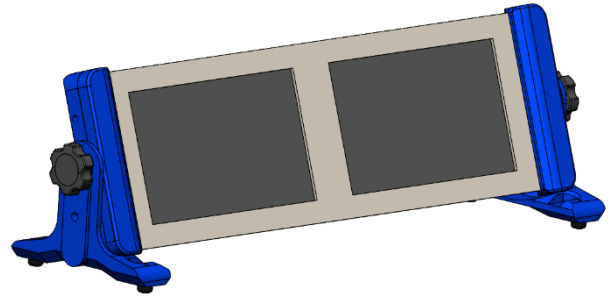




Assembly Instructions:

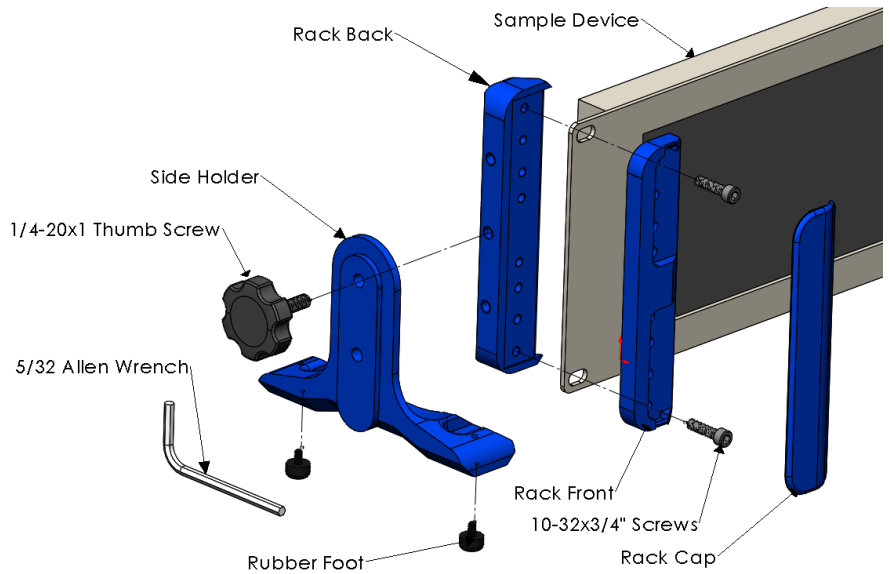
Model: RK-RU3-XXX-002

Description: 3RU Rack Device Desktop Kit



List of Items in Box:

- 2x Rack Back
- 2x Rack Front
- 2x Rack Cap
- 2x Side Holder
- 2x 1/4-20x1" Thumb Screw
- 8x 10-32x3/4" Screw
- 4x Threaded Rubber Foot
- 1x Allen Wrench 5/32"



Assembly Instructions:

1. Place "Rack Back" and "Rack Front" behind and in front of device respectively and use the supplied 10-32x3/4" screws to secure it in place by using the Allen wrench on both sides
2. Pop in the "Rack Cap" to hide the screws on both sides.
3. Screw in two rubber feet on the bottom of each "Side Holder."
4. Mount "Side Holders" to the rack with the two 1/4-20x1 Thumb Screws.

Mechanical Dimensions:

